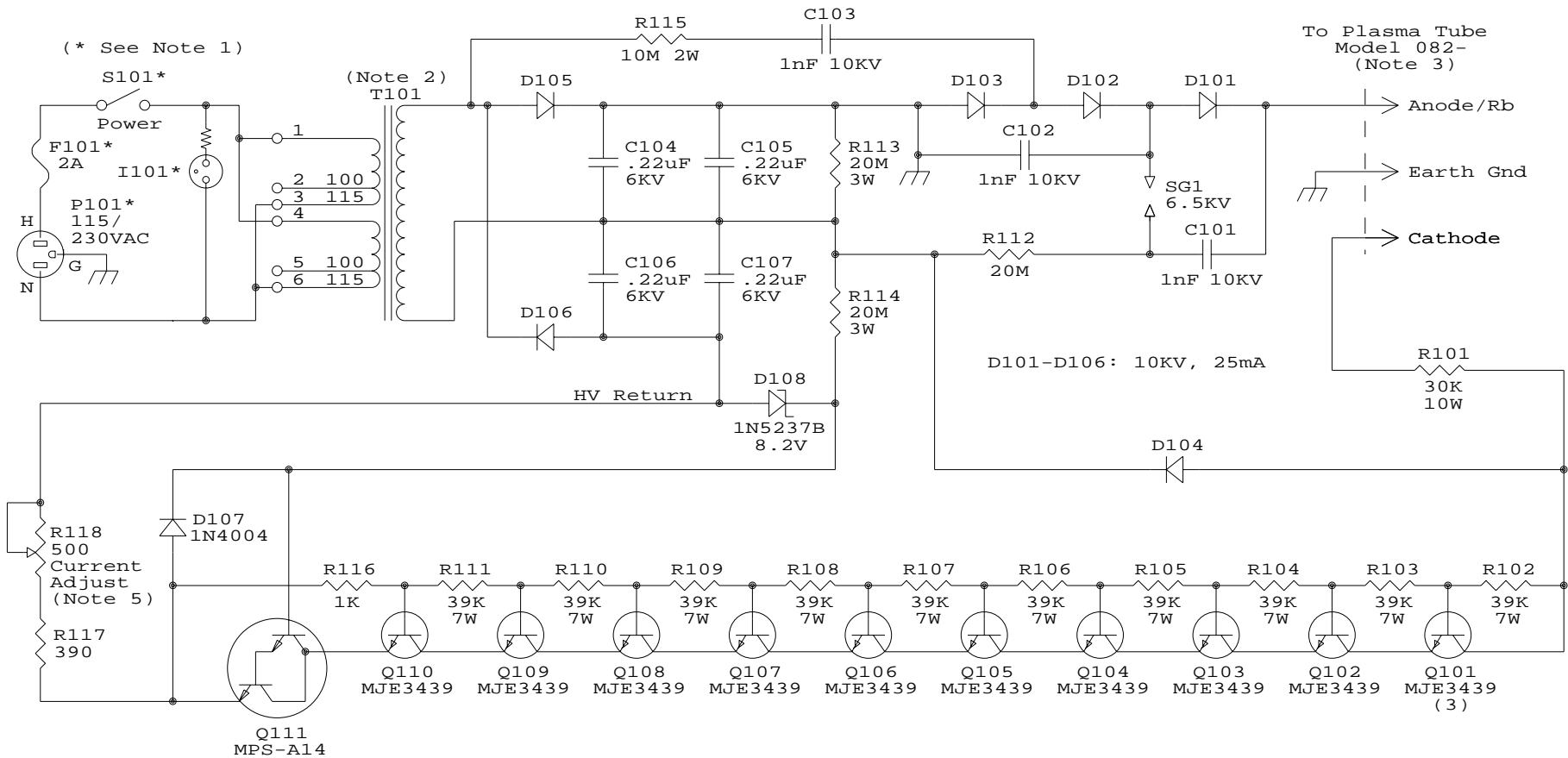


# Spectra-Physics Model 207 Exciter (SP-207)



**Notes:**

1. Parts marked with a "\*" may not be present in OEM version.
2. Line voltage may be jumpered for 100VAC, 115VAC, 200VAC, or 230VAC.
3. Plasma tube includes anode ballast resistor inside glass envelope, value unknown.
4. Q101 through Q110 are mounted on individual heat sinks.
5. Current range is approximately 7.5 to 17.5 mA.

Drawn by: Samuel M. Goldwasser		
sam@repairfaq.org		
Title Spectra-Physics Model 207 Exciter (SP-207)		
Size	Document Number	REV
A	207-PWR-SCH	1.0
Date:	August 2, 2000	Sheet 1 of 1