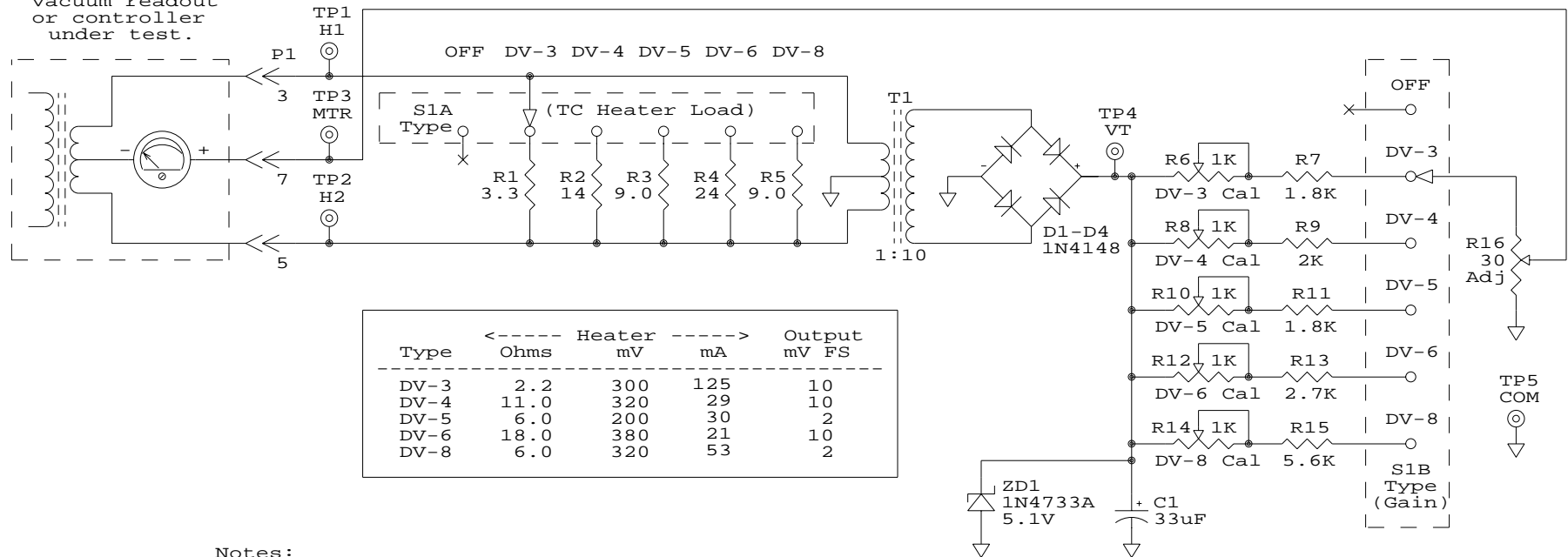


# Sam's Hastings TC Vacuum Gauge Tester 1 (SG-HT1)

Transformer and meter in dashed box are part of Hasting TC vacuum readout or controller under test.



Type	<----- Heater Ohms ----->	<----- mV ----->	<----- mA ----->	Output mV FS
DV-3	2.2	300	125	10
DV-4	11.0	320	29	10
DV-5	6.0	200	30	2
DV-6	18.0	380	21	10
DV-8	6.0	320	53	2

**Notes:**

1. T1 can be small 12.6 VCT power transformer on AC line powered TC gauge heater systems. For oscillator powered heaters, a ferrite transformer may be needed.
2. Component values for DV-8 are unconfirmed.
3. Since this is essentially a peak reading, not RMS reading system, there may be variation depending on specific circuit implementation.
4. For testing of a single type TC gauge and/or instant selection isn't needed, replace R1-R5 with a single pot and R6-R15 with a single pot and fixed resistor.

Samuel M. Goldwasser  
sam@repairfaq.org

---

Title  
Sam's Hastings TC Gauge Tester 1 (SG-HT1)

---

Size	Document Number	REV
A	SG-HT1-SCH	1.3

---

Date: September 20, 2002 | Sheet 1 of 1